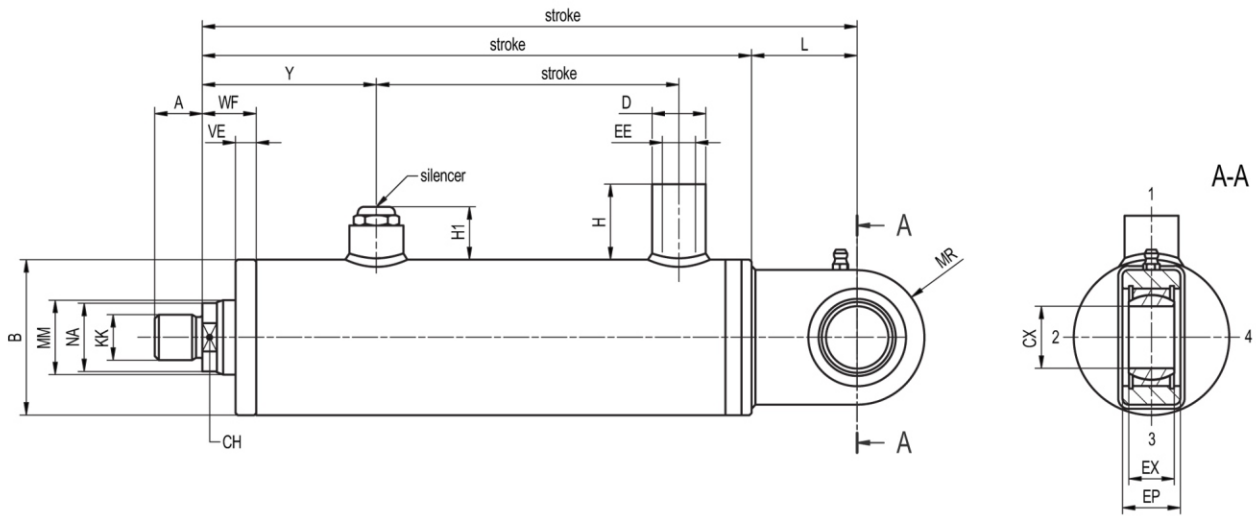


ME18 MA

single acting hydraulic cylinders with piston



All dimensions are in millimetres.

| Piston Ø | MM Ø | A | B Ø | CH | D Ø | EE | KK | NA Ø | WF | VE | Y | PJ | ZJ | H1 | H* |
|----------|-------|----|-----|----|-----|-------|----------|-------|----|----|-----|----|-----|----|----|
| 40 | 22/28 | 16 | 50 | 17 | 26 | G 3/8 | M 16×1,5 | 20 | 25 | 10 | 69 | 42 | 137 | 23 | 42 |
| 50 | 28/36 | 16 | 60 | 22 | 26 | G 3/8 | M 16×1,5 | 25 | 25 | 10 | 75 | 45 | 150 | 23 | 42 |
| 63 | 36/45 | 23 | 75 | 30 | 26 | G 3/8 | M 22×1,5 | 34 | 26 | 10 | 87 | 48 | 165 | 23 | 42 |
| 80 | 50 | 35 | 90 | 36 | 26 | G 3/8 | M 35×1,5 | 40 | 27 | 10 | 77 | 56 | 163 | 23 | 42 |
| 100 | 50/70 | 45 | 115 | 46 | 30 | G 1/2 | M 45×1,5 | 48/50 | 27 | 10 | 77 | 60 | 167 | 23 | 48 |
| 125 | 63/70 | 58 | 145 | 60 | 30 | G 1/2 | M 58×1,5 | 62/65 | 32 | 10 | 77 | 65 | 172 | 23 | 48 |
| 160 | 80 | 65 | 180 | 65 | 38 | G 3/4 | M 65×1,5 | 75 | 40 | 12 | 122 | 70 | 233 | 23 | 57 |

*Block valve can be mounted into the attachment.

| Piston Ø | XO | L | CX | EX | EP | MR |
|----------|-----|-----|----|----|----|------|
| 40 | 175 | 38 | 20 | 16 | 19 | 25 |
| 50 | 195 | 45 | 25 | 20 | 23 | 27,5 |
| 63 | 216 | 51 | 30 | 22 | 28 | 32,5 |
| 80 | 232 | 69 | 40 | 28 | 35 | 50 |
| 100 | 255 | 88 | 50 | 35 | 40 | 61,5 |
| 125 | 272 | 100 | 60 | 44 | 50 | 70 |
| 160 | 340 | 115 | 70 | 49 | 55 | 82 |

